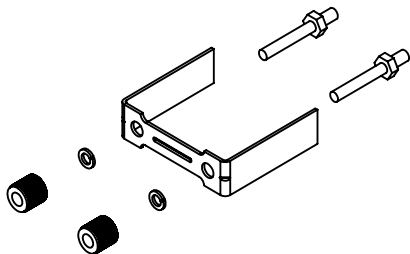




R19999

MOUNTING KIT
INSTRUCTION SHEET



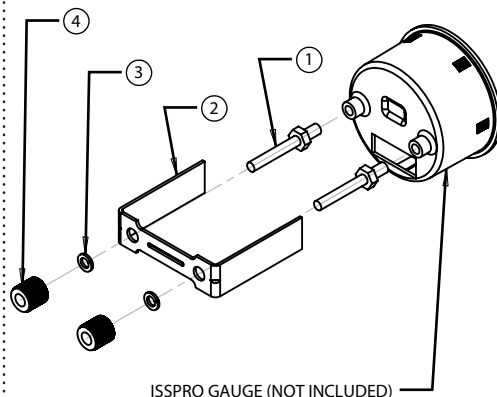
IS189

Instructions:

- 1** Using a deep socket or a wrench, install the self-tapping end of each stud into the mounting holes on the rear of the gauge case until the hex nut is flush.
- 2** Insert gauge in mounting location. Place the bracket over the studs so that the arms of the bracket point towards the gauge.
- 3** Place lock washers on the studs and then tighten nuts finger tight.

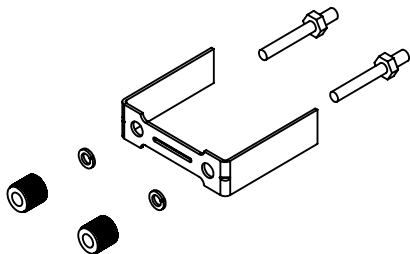
Contents:

- ① 2 ea 8/32 STUDS
- ② 1 ea BRACKET
- ③ 2 ea LOCK WASHER
- ④ 2 ea KNURLED NUT



R19999

MOUNTING KIT
INSTRUCTION SHEET



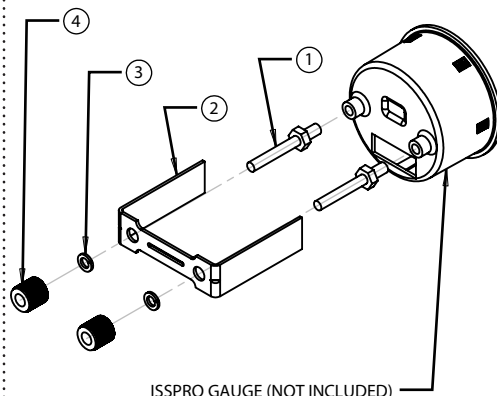
IS189

Instructions:

- 1** Using a deep socket or a wrench, install the self-tapping end of each stud into the mounting holes on the rear of the gauge case until the hex nut is flush.
- 2** Insert gauge in mounting location. Place the bracket over the studs so that the arms of the bracket point towards the gauge.
- 3** Place lock washers on the studs and then tighten nuts finger tight.

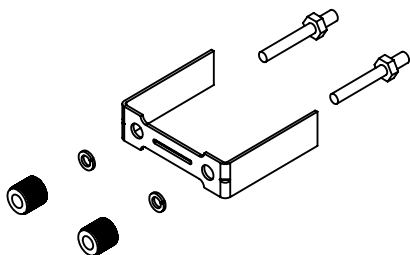
Contents:

- ① 2 ea 8/32 STUDS
- ② 1 ea BRACKET
- ③ 2 ea LOCK WASHER
- ④ 2 ea KNURLED NUT



R19999

MOUNTING KIT
INSTRUCTION SHEET



IS189

Instructions:

- 1** Using a deep socket or a wrench, install the self-tapping end of each stud into the mounting holes on the rear of the gauge case until the hex nut is flush.
- 2** Insert gauge in mounting location. Place the bracket over the studs so that the arms of the bracket point towards the gauge.
- 3** Place lock washers on the studs and then tighten nuts finger tight.

Contents:

- ① 2 ea 8/32 STUDS
- ② 1 ea BRACKET
- ③ 2 ea LOCK WASHER
- ④ 2 ea KNURLED NUT

